

ACO Bathroom Drainage



Qu**ARTZ** by ACO

Shower drains

Technical Product Handbook



The shower drainage option designed to impress

QuARTz by ACO bathroom drainage solutions inspire creative bathroom planning. Shower channels and ShowerPoint area drains are suitable for traditional curb shower design or allow the elimination of physical barriers within the bathroom floor for a more contemporary look or to comply with universal design concepts.

Gratings are available in a choice of slot patterns and can be easily replaced at a later date to generate a totally new look.

Water activated LED lights are also available, and can be added at any stage, to create a completely different shower experience and feel.

Quality and functionality

The high quality of the components is not limited to the design, materials and finish; ease of handling and installation are also given the same attention to detail.

The difference is in the details

Products are designed to provide a long and reliable service life. The smooth surfaces guarantee safe drainage and hygiene in bathrooms. The seals, joints and materials guarantee low noise emissions.

Award-winning design

The stainless steel gratings visibly demonstrate the quality of the shower channels and drains. QuARTz by ACO shower channel gives any number of opportunities to impress through quality and looks!



Linear ShowerChannel solutions

Our Premium line offers a choice of eight grating designs, two material finishes in six standard lengths and two edge details providing a solution to most bathrooms. Custom solutions are also available.

Page 4

Our Plus line offers a cost-effective option of three grates and three standard lengths.

Page 10



ShowerPoint solutions

Our Premium line offers a high quality traditional area drain with six grating designs offering all the additional design features of the QuARTz shower channels.

Page 21

Our Plus line offers a cost-effective choice of three grate designs.

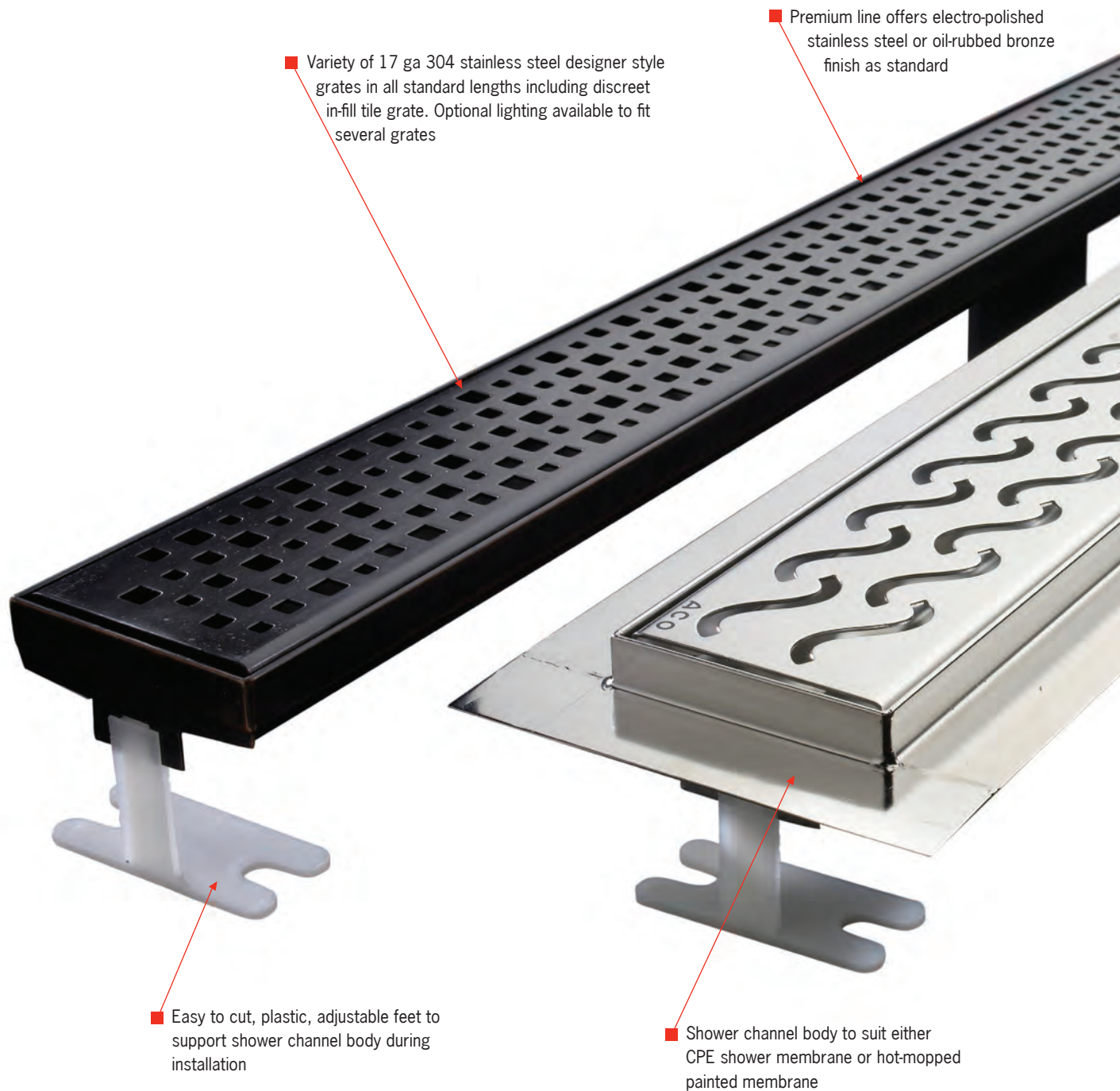
Page 22



Linear Shower Channel Contents

- Premium Line features & benefits4
- Shower channel for CPE membranes6
- Shower channel for liquid membranes7
- Stainless steel grate options8
- Oil-rubbed bronze grate options9
- Plus Line features & benefits10
- Accessories13
- Water activated LED lights14
- Technical & planning considerations15
- Drainage planning information16
- Installation details17
- Custom shower channels19

**Premium Line
Features & Benefits:**



■ Variety of 17 ga 304 stainless steel designer style grates in all standard lengths including discreet in-fill tile grate. Optional lighting available to fit several grates

■ Premium line offers electro-polished stainless steel or oil-rubbed bronze finish as standard

■ Easy to cut, plastic, adjustable feet to support shower channel body during installation

■ Shower channel body to suit either CPE shower membrane or hot-mopped painted membrane



■ Variety of six lengths from 700 mm (27.55") to 1400 mm (55.12") as standard

■ Shallow 'V' channel profile to aid flow of water to outlet

■ Centrally located 2" stainless steel spigot outlet with optional debris strainer

■ Pipe connectors available for either CPE membranes or straight outlet to plumbing pipe

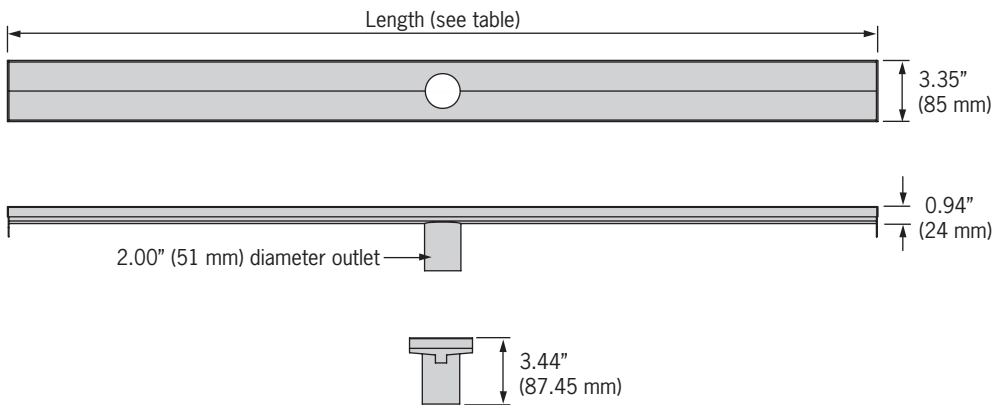
■ All bodies are 19 ga 304 stainless steel

Plain Edge Shower Channel



Features

- 2" diameter central vertical outlet.
- Flow rate: at entrance of shower - 6.65 GPM (0.4 l/s); against the wall - 9.51 GPM (0.6 l/s). See page 15.
- Channel width: 3.35" (85 mm).
- Electro-polished and oil-rubbed bronze finishes available.
- Designed for use with CPE membrane fitting.
- Plastic support feet aid installation.
- Optional accessories include plumbing connectors, water activated LED lights and debris strainer (see page 13).
- Ideal for plastic or CPE waterproofing membranes.



Product Table - channel only (select grate from page 8-9)

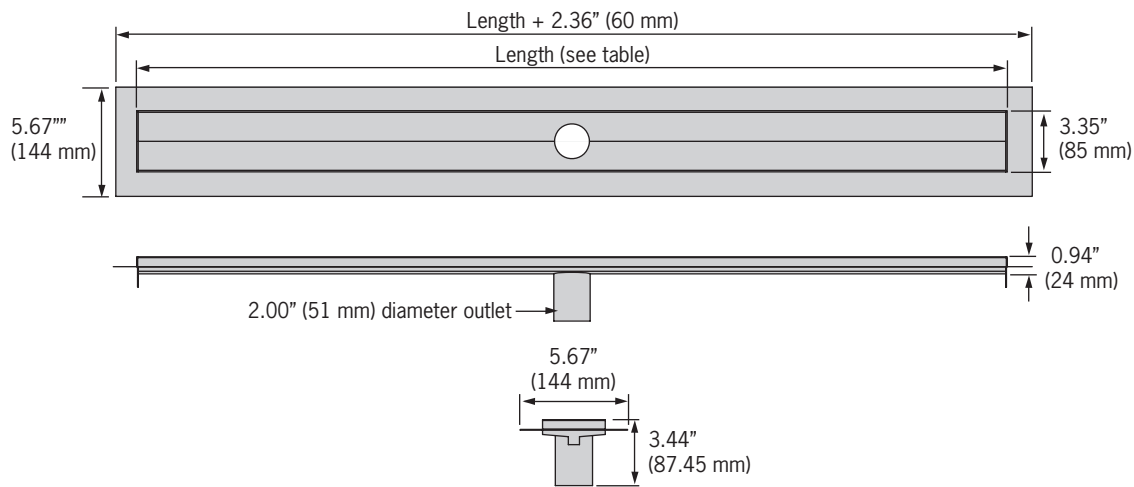
Length (mm) inches	700 27.56	800 31.50	900 35.43	1000 39.37	1200 47.24	1400 55.12
Part No. Electro-polished	93861	93864	93865	93869	93872	93816
Part No. Oil-rubbed bronze	93180	93187	93184	93189	93182	93177
Weight lbs	2.5	2.6	3.0	3.2	3.7	4.2

Flange Edge Shower Channel



Features

- 2" diameter central vertical outlet.
- Flow rate: at entrance of shower - 6.65 GPM (0.4 l/s); against the wall - 9.51 GPM (0.6 l/s). See page 15.
- Channel width: 3.35" (85 mm).
- Electro-polished and oil-rubbed bronze finishes available.
- Designed for use with 'hot-mop', painted or liquid membranes.
- Compatible with tiles up to 10 mm thick (14 mm lip).
- Stainless steel clad flexible coupling connects outlet to pipe system.
- Plastic support feet aid installation.
- Optional accessories include plumbing connectors, water activated LED lights and debris strainer (see page 13).
- Ideal for liquid or bonded waterproofing membranes.







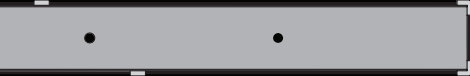



Product Table - channel only (select grate from page 8-9)

Length (mm) inches	700 27.56	800 31.50	900 35.43	1000 39.37	1200 47.24	1400 55.12
Part No. Electro-polished	93866	93873	93862	93870	93875	93817
Part No. Oil-rubbed bronze	93188	93181	93183	93186	93185	93178
Weight lbs	3.4	3.6	4.1	4.5	5.2	5.9

Stainless steel grating designs








Product Table

Design	Length in. (mm)	Part no.	Intake sq. in.
 Wave™	27.56 (700)	37342	13.66
	31.50 (800)	37343	15.57
	35.43 (900)	37344	17.48
	39.37 (1000)	37345	19.39
	47.24 (1200)	37346	23.20
	55.12 (1400)	37413	27.01
 Quadrato™	27.56 (700)	37359	15.39
	31.50 (800)	37360	17.71
	35.43 (900)	37361	20.03
	39.37 (1000)	37362	22.35
	47.24 (1200)	37363	26.68
	55.12 (1400)	37418	31.01
 Flag™	27.56 (700)	37369	21.33
	31.50 (800)	37370	25.10
	35.43 (900)	37371	28.85
	39.37 (1000)	37372	31.36
	47.24 (1200)	37373	36.37
	55.12 (1400)	37417	41.38
 Hawaii™	27.56 (700)	37398	15.73
	31.50 (800)	37399	17.48
	35.43 (900)	37400	19.22
	39.37 (1000)	37401	22.72
	47.24 (1200)	37402	26.22
	55.12 (1400)	37414	29.72
 Mix™	27.56 (700)	37403	18.54
	31.50 (800)	37404	20.88
	35.43 (900)	37405	23.56
	39.37 (1000)	37406	26.47
	47.24 (1200)	37407	27.71
	55.12 (1400)	37415	28.95
 Pixel™	27.56 (700)	37408	17.13
	31.50 (800)	37409	19.00
	35.43 (900)	37410	21.48
	39.37 (1000)	37411	24.20
	47.24 (1200)	37412	29.00
	55.12 (1400)	37416	33.80
 Tile™	27.56 (700)	37335	13.00
	31.50 (800)	37338	14.69
	35.43 (900)	37336	16.42
	39.37 (1000)	37334	18.10
	47.24 (1200)	37332	21.50
	55.12 (1400)	37419	24.90
 Linear™	27.56 (700)	37420	38.60
	31.50 (800)	37421	44.22
	35.43 (900)	37422	49.80
	39.37 (1000)	37423	55.38
	47.24 (1200)	37424	66.53
	55.12 (1400)	37425	77.68



Oil-rubbed bronze grating designs

Product Table

Design	Length in. (mm)	Part no.	Intake sq. in.
 Wave™	27.56 (700)	37312	13.66
	31.50 (800)	37321	15.57
	35.43 (900)	37308	17.48
	39.37 (1000)	37313	19.39
	47.24 (1200)	37302	23.20
	55.12 (1400)	37292	27.01
 Quadrato™	27.56 (700)	37317	15.39
	31.50 (800)	37309	17.71
	35.43 (900)	37303	20.03
	39.37 (1000)	37320	22.35
	47.24 (1200)	37307	26.68
	55.12 (1400)	37297	31.01
 Flag™	27.56 (700)	37324	21.33
	31.50 (800)	37306	25.10
	35.43 (900)	37315	28.85
	39.37 (1000)	37322	31.36
	47.24 (1200)	37311	36.37
	55.12 (1400)	37296	41.38
 Hawaii™	27.56 (700)	37330	15.73
	31.50 (800)	37314	17.48
	35.43 (900)	37305	19.22
	39.37 (1000)	37325	22.72
	47.24 (1200)	37318	26.22
	55.12 (1400)	37293	29.72
 Mix™	27.56 (700)	37301	18.54
	31.50 (800)	37326	20.88
	35.43 (900)	37340	23.56
	39.37 (1000)	37319	26.47
	47.24 (1200)	37329	27.71
	55.12 (1400)	37294	28.95
 Pixel™	27.56 (700)	37304	17.13
	31.50 (800)	37333	19.00
	35.43 (900)	37328	21.48
	39.37 (1000)	37337	24.20
	47.24 (1200)	37316	29.00
	55.12 (1400)	37295	33.80
 Tile™	27.56 (700)	37327	13.00
	31.50 (800)	37300	14.69
	35.43 (900)	37331	16.42
	39.37 (1000)	37323	18.10
	47.24 (1200)	37310	21.50
	55.12 (1400)	37298	24.90

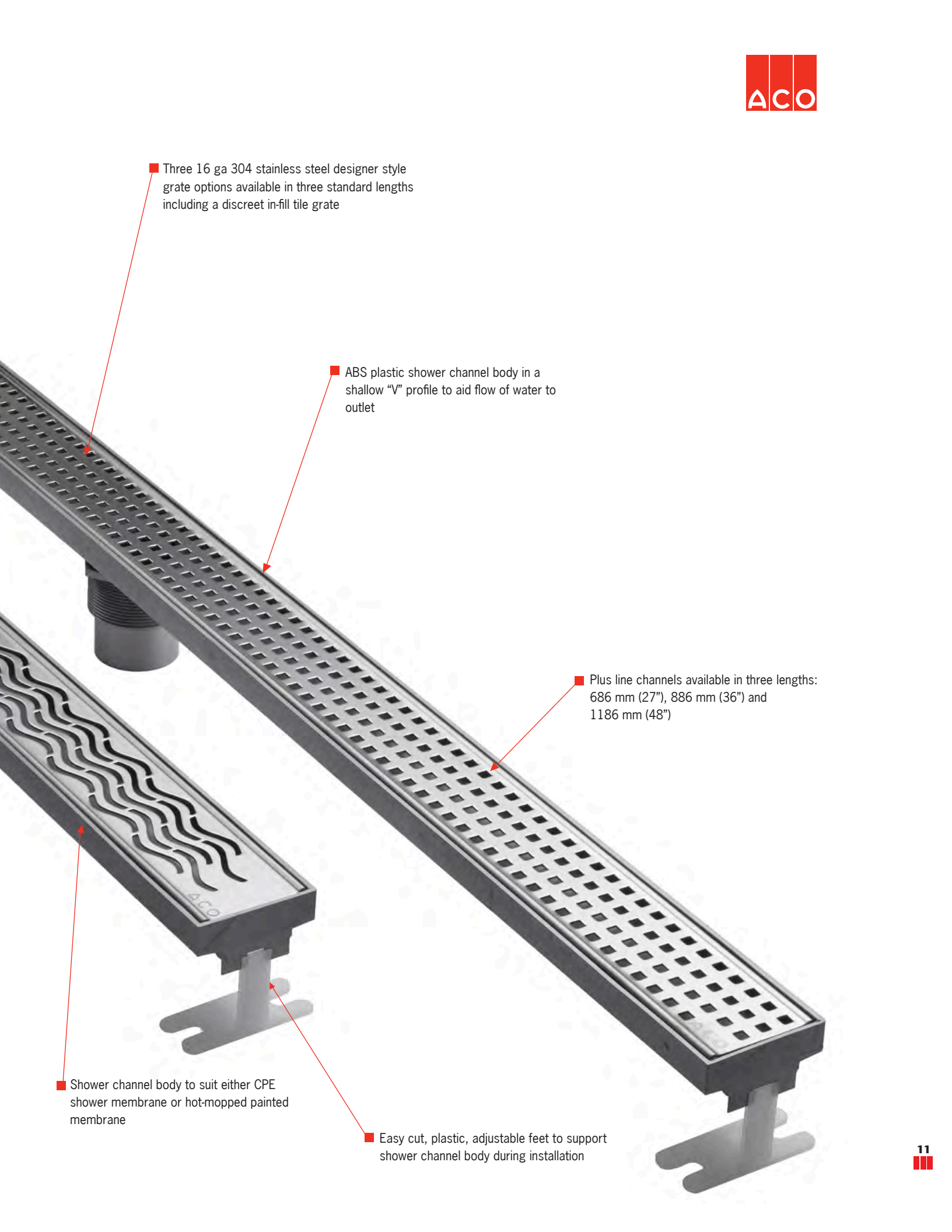


**Plus Line
Features & Benefits:**



■ Pipe connectors available for either CPE membranes or straight outlet to plumbing pipe

■ Centrally located 2" ABS plastic spigot outlet with optional debris strainer



■ Three 16 ga 304 stainless steel designer style grate options available in three standard lengths including a discreet in-fill tile grate

■ ABS plastic shower channel body in a shallow "V" profile to aid flow of water to outlet

■ Plus line channels available in three lengths: 686 mm (27"), 886 mm (36") and 1186 mm (48")

■ Shower channel body to suit either CPE shower membrane or hot-mopped painted membrane

■ Easy cut, plastic, adjustable feet to support shower channel body during installation

QuARTz Plus Line

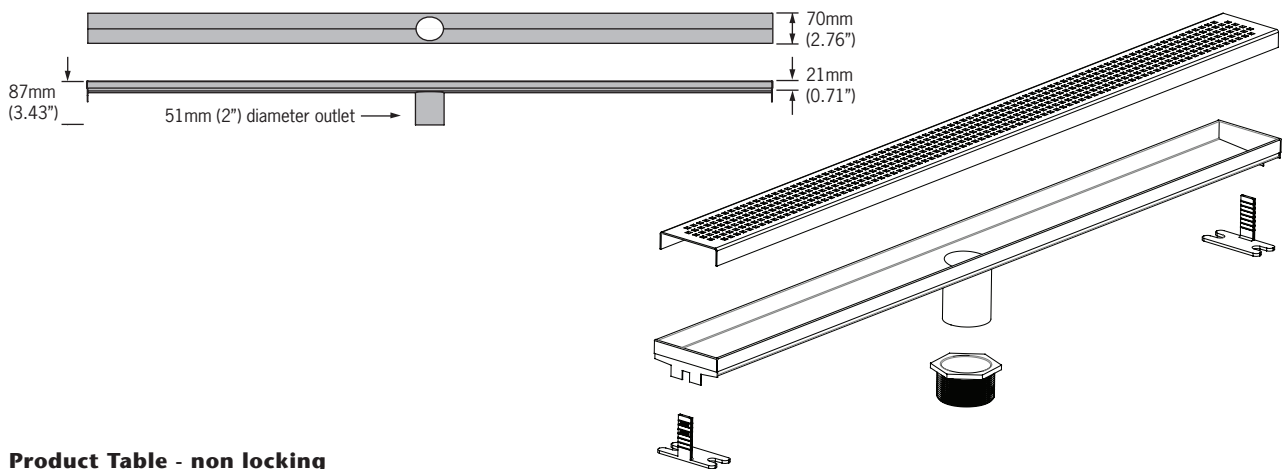


Features




- ABS plastic channel available in three lengths
- Three 304 stainless steel grate design options available
- Comes with a 2" threaded coupling
- Compatible with any standard 2" shower drain flange

Complete Unit Includes:

- Stainless steel grate
- ABS plastic channel
- Leveling feet
- 2" threaded coupling



Product Table - non locking

									
Grate Design	Square	Square	Square	Wavy	Wavy	Wavy	Tile	Tile	Tile
Length (mm) inches	(686) 27.0"	(886) 36.0"	(1186) 48.0"	(686) 27.0"	(886) 36.0"	(1186) 48.0"	(686) 27.0"	(886) 36.0"	(1186) 48.0"
Part No.	37245	37243	37242	37244	37241	37240	37085	37086	37087
Weight (lbs)	3.5	3.5	3.5	3.5	3.5	3.5	4.0	4.0	4.0

Accessories

A number of accessories are available to ensure an aesthetic and trouble-free installation.

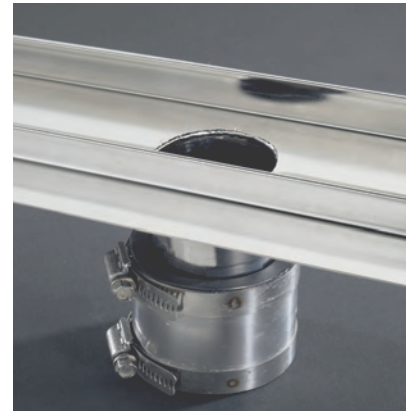
Plumbing fittings

In order to connect the 2" plain end spigot to the plumbing system, a connection fitting will be required. QuARTz by ACO offers a choice of three:

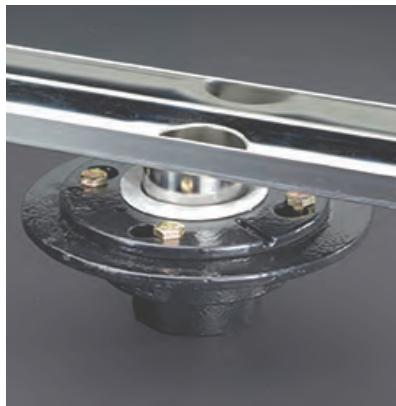
- PVC membrane fitting - typically used with the *plain body channel*. Allows connection and clamping of a CPE flexible membrane with a compression fit.
- Cast Iron membrane fitting - typically used with the *plain body channel*. Allows connection and clamping of either a fabric or 'hot-mop' membrane with a compression fit. Also suitable when plastic fittings are considered a fire hazard.
- Stainless steel clad flexible coupling - typically used with the *flanged body channel*. Used where a 'hot-mop' painted membrane is applied. Stainless steel cladding ensures connector is suitable where plastic fittings are considered a fire hazard.



PVC membrane connector



Stainless steel coupling connector



Cast iron membrane connector



Debris strainer

Debris strainer

A stainless steel sieve/strainer that sits inside the 2" diameter outlet to collect hair and debris. Note that use of the strainer will reduce the flow performance of the shower channel.

Product Table

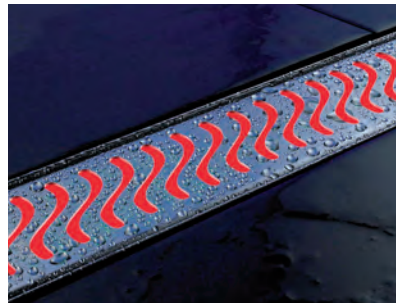
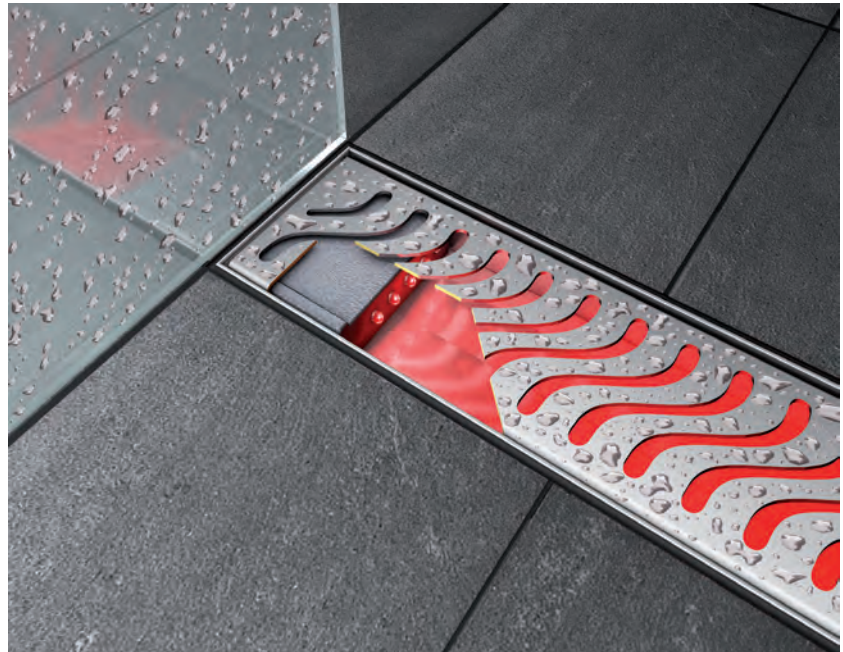
Description	Part No.	Weight
PVC CPE membrane coupling	93871	1.1
Iron CPE membrane coupling	93822	4.7
Stainless steel clad coupling	93874	0.4
Debris strainer - electro polished	37381	0.1
Debris strainer - oil-rubbed bronze	37382	0.1

Water activated LED lights

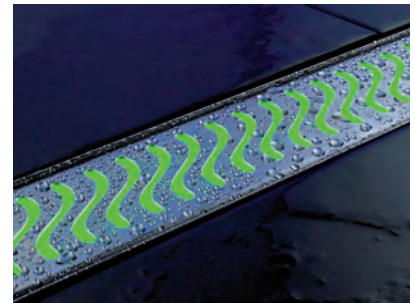
Illumination is possible for both standard and custom shower channels. The illumination is based on simple circuit completion: as sufficient water runs over the LED light packs the circuit connects the contacts of the LED light modules and the lights turn on. When the water stops running the illumination switches off.

Allowing a daily showering duration of 15 minutes, batteries would need to be recharged after approximately three months.

- Suitable for all grate designs except Tile, Linear and all QuARTz Plus
- Automatically illuminates when in contact with water
- Light kit consisting of:
 - 2 x rechargeable LED packs
 - 1 x 110V UL rated low voltage charger
- Choice of colors: red, green, blue, rainbow (alternating colors)



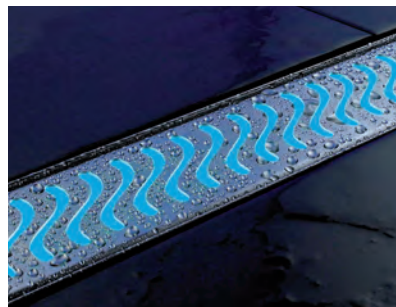
Red



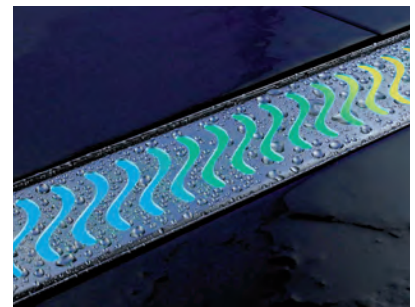
Green



LED light packs, charging unit and power cord



Blue



Rainbow (alternating colors)

Product Table

Description	Part No.	Weight
Red LED light kit	37377	1.5
Green LED light kit	37375	1.5
Blue LED light kit	37379	1.5
Rainbow LED light kit	37374	1.5

Note: Weight includes 2 lights, charger and adapter

Technical & planning considerations

Accumulation and slopes

ASME A112.6.3-2001 requires a 2" outlet for shower applications. QuARTz by ACO channels have this as standard. The flow value for a 2" outlet varies depending upon the head of water above the grating.

In the case of shower channels, a head of water is not typical in practice, due to shallower floor grades. Area drains can have a head of water due to 'basin' profile of floor grades.

Flow values without any accumulation (head of water) should be used when shower channels are placed around the perimeter of the shower and no shower threshold step is used.

If the shower channel is installed against a wall, there may be a small amount of accumulation (head of water) depending on the layout of the shower area. Grade of shower floor will determine depth of build-up.



Installation against the wall

Outlet flow rate up to 9.51 GPM based on floor grades such that 0.2" (5 mm) head of water possible.



Installation at the entrance

Outlet flow rate up to 6.65 GPM based on no water accumulation (head of water).

Outlet flow rates (GPM)

Grate	Accumulation (head of water above grate)		
	0" (0 mm)	0.2" (5 mm)	0.6" (15 mm)
Channel body only	6.65	9.51	11.60

The addition of a grate can throttle the intake of water into the channel body and slow the flow of water to the outlet.

Effect of grate on outlet flow rates (GPM)

Grate	Accumulation (head of water above grate)		
	0" (0 mm)	0.2" (5 mm)	0.6" (15 mm)
Wave	6.00	8.58	10.47
Quadrato	6.34	9.07	11.06
Flag	6.34	9.07	11.06
Hawaii	6.36	9.09	11.08
Mix	6.40	9.15	11.16
Pixel	6.58	9.12	11.12
Tile	6.49	9.28	11.32
Linear*	6.65	9.51	11.60

Note: Based on 900 mm shower drain with standard 2" outlet.

* Linear grate flow rate exceeds capacity of the channel and is therefore rated at the channel flow rates.

Outflow performance

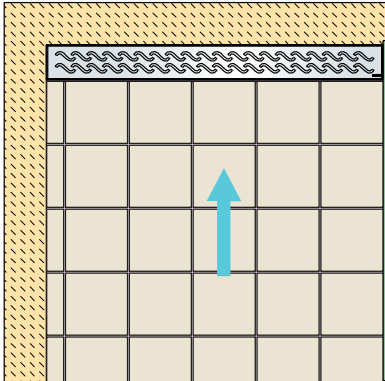
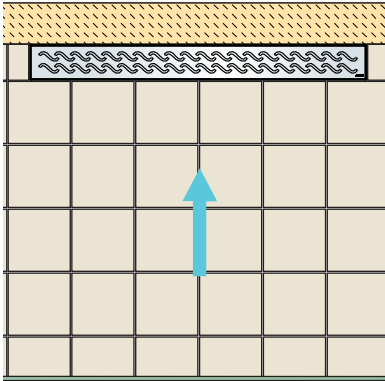
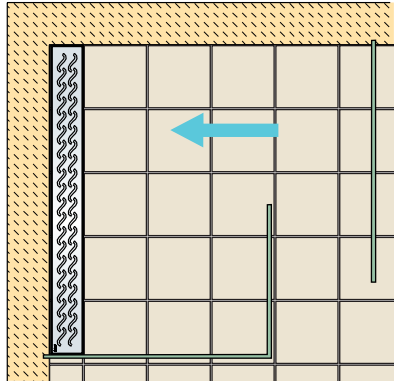
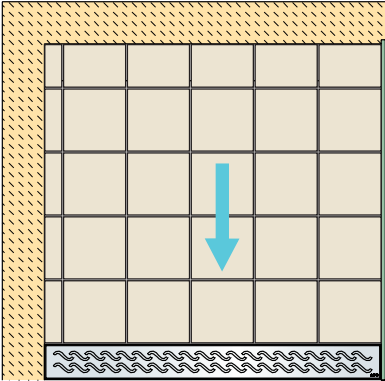
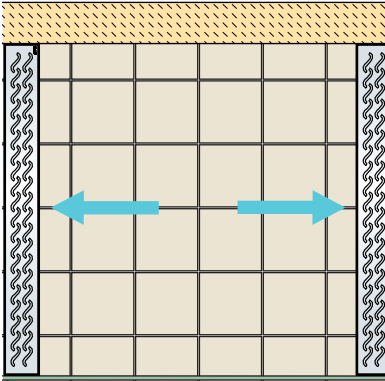
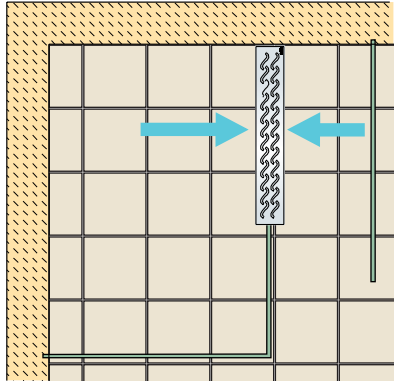
The choice of shower channel generally depends on the flow values of the shower fitting. 70% of shower heads have a maximum capacity of less than 3 GPM.

The QuARTz by ACO shower drain standard channel has an outflow of 6.65 GPM. This value assumes no head of water above drain.

Based upon these flow rates the QuARTz by ACO shower drain standard channel can be used in conjunction with the majority of shower head fittings.

A number of custom solutions are available to cope with shower heads with higher flow rates (see page 19).

Drainage planning information

Linear drainage options		
<p>Installation against the wall</p>  <p>Simplest slope solution in one direction – slope away from the bathroom – no risk of bypass – use of CPE flexible membrane is recommended.</p>	<p>Walk-through: Installation against the wall</p>  <p>Slope in one direction – just shower area or whole bathroom floor can be sloped towards channel – use of CPE flexible membrane is recommended.</p>	<p>Walk-in: Installation against the wall</p>  <p>Simplest slope solution in one direction – slope away from the bathroom – no risk of overshooting water – use of CPE flexible membrane is recommended.</p>
<p>Installation at shower entrance</p>  <p>Slope in one direction, towards the bathroom – possible risk of bypass – slope of bathroom floor towards shower area is recommended to prevent bypass. Channel length should exactly fit the shower opening.</p>	<p>Walk-through: Installation with two channels</p>  <p>Two directional slope towards the bathroom. Channel length should exactly fit the shower opening.</p>	<p>Walk-in: Installation at the entrance</p>  <p>Two directional slope towards the channel. Channel length should exactly fit the shower opening.</p>

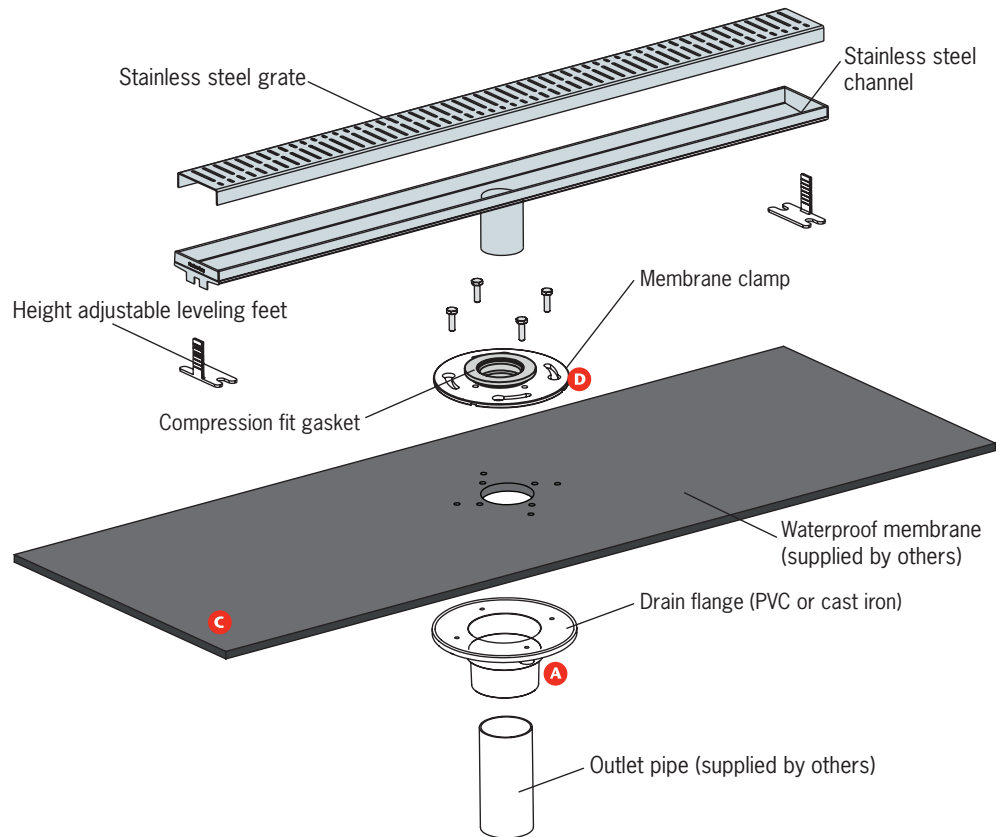
Installation overview

Tiled showers rely on waterproofing membrane beneath the tiles and grout. QuARTz by ACO offers a number of options to ensure compatibility with different floor structures.

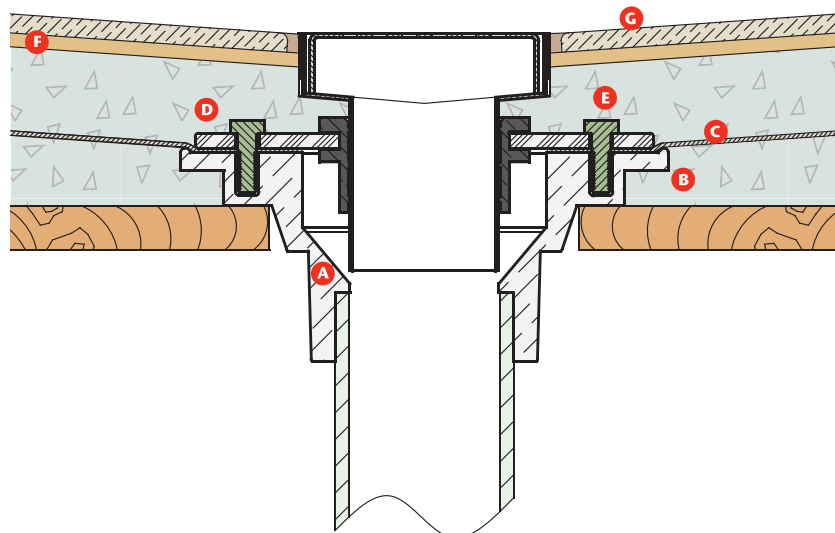
The installation details shown set out to provide the designer with integrated solutions to wet room floor drainage identifying preparation, installation and construction processes required to install waterproof channels and floor drains in level threshold wet room environments.

Although these details do not cover every possible situation, they do provide a practical reference to most design applications.

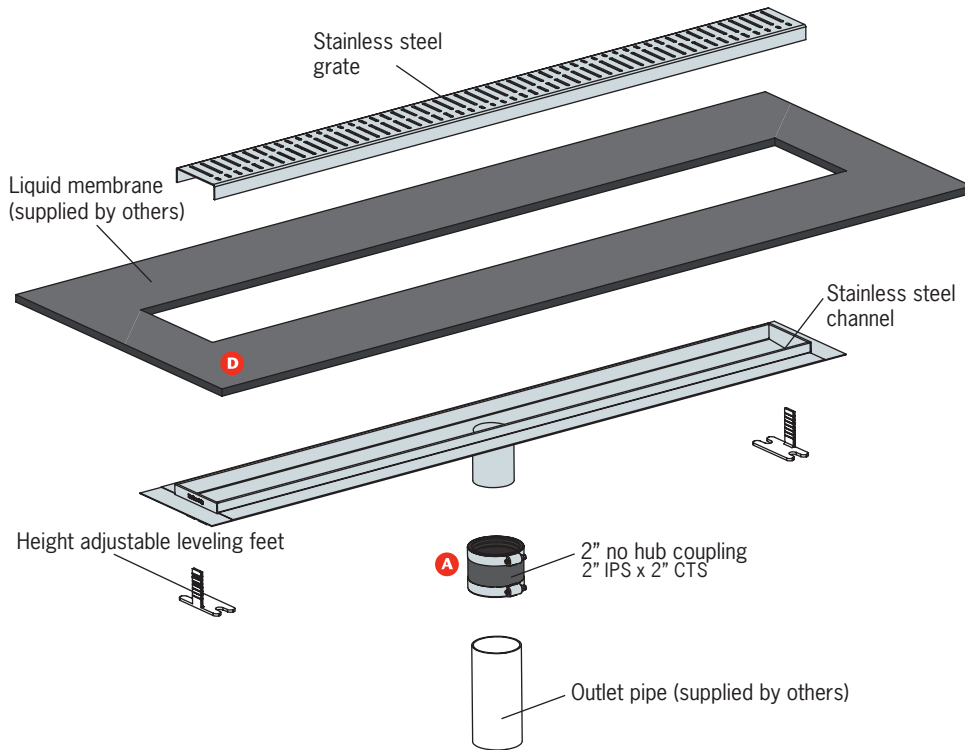
Plain body

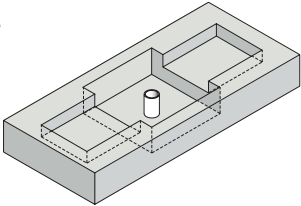
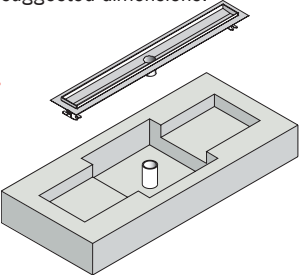
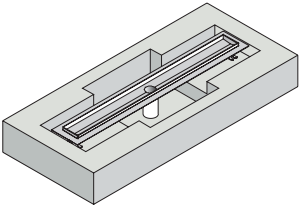


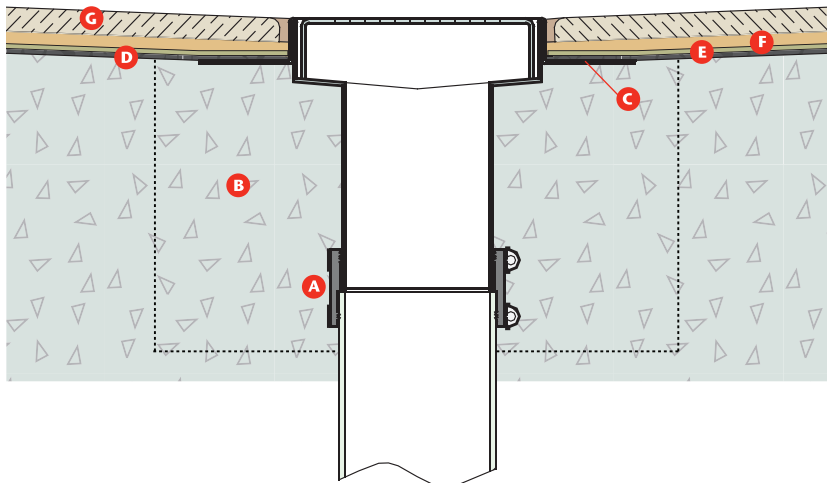
1. Where alterations to floor joists are necessary, consult Structural Engineer for advice and reinforce floor joists as advised.
2. Frame out shower surround as required.
3. Connect base of flange outlet adaptor **A** to pipe work, leaving drain bolts in place. Block drain opening with rag to prevent floor mortar from blocking pipe work.
4. Trowel mortar onto sub-floor **B**.
5. Install CPE membrane **C**, reinforce around outlet and cut carefully to reveal heads of drain bolts and outlet.
6. Install top section of flange outlet adaptor **D**.
7. Test membrane for leaks.
8. Lubricate outlet spigot on shower channel (liquid soap) and push fit shower channel into outlet at correct position and height.
9. Cut plastic installation feet to height to rest on the membrane and keep shower channel at required height and level.
10. Trowel mortar to required height **E**, allowing for thickness of tile and thin set mortar and grade to create 2% slope towards the drain.
11. After floor mortar has cured, apply thin set **F** and install tile and grout **G**.
12. Install grate into shower channel.



Flange body



- 1.** 
Box out detail showing suggested dimensions.
- 2.** 
After removing box formwork connect shower channel to plumbing pipe work using stainless steel connector part number 93874.
- 3.** 
Shower channel fitted in place prior to final concrete slurry pour. Shower channel flange should be at same level as original concrete slab.



- 1.** Frame out shower surround in concrete slab as required, see diagram top right.
- 2.** Set top edge of shower channel slightly below finished tile level, cut plastic installation feet to height to hold shower channel at required height and level.
- 3.** Connect outlet to pipe work using 2" stainless coupler **A**.
- 4.** Pour concrete slurry **B** into framed out void in concrete slab to height of flange on channel body **C**.
- 5.** Install 'hot-mop'/liquid membrane **D**, fully covering concrete and flange of shower channel in accordance with manufacturer's instructions.
- 6.** Trowel mortar to required height and grade, approx. 2% slope toward the drain **E**.
- 7.** Apply thin set **F**.
- 8.** Lay tile and grout **G**.
- 9.** Install grate into shower channel.

Custom Shower Channels

For projects requiring a number of units and where standard channels are not appropriate, a number of features can be customized to ensure the unit meets required performance criteria.

Note: All diagrams show plain-edge shower channel body. Custom features are also available on flange-edge shower channel bodies. Custom channels are only available in electro-polished finish.

<p>1. Length of shower channel</p> <p>To meet specific room requirements, the channel can be manufactured to specific length requirements - minimum 58" and maximum 192". Standard length grates are used; this may result in multiple grates per channel.</p>	
<p>Length L = inches</p> <p>Note: For flange body overall width is 5.67" (144 mm); Overall length is L + 2.36" (60 mm).</p>	<p>Width is fixed at 3.35" (85 mm)</p>

<p>2. Position of 2" outlet</p> <p>Plumbing layout restrictions may require a non-central outlet - the position of the outlet can be manufactured to accommodate site requirements. Horizontal placement of standard 2" outlet is also available.</p>		<p>Standard version</p>
<p>End position</p>		<p>L1 = inches L2 = inches</p>
<p>Custom position</p>		<p>L1 = inches L2 = inches</p>

<p>3. Number of 2" outlets</p> <p>To meet hydraulic requirements of multiple shower heads, the number of outlets can be increased. Outlet size is fixed at 2" diameter due to the width of the unit and availability of compatible plumbing connections.</p>		<p>L1 = inches L2 = inches L3 = inches</p>
<p>Three outlets</p>		<p>L1 = inches L2 = inches L3 = inches L4 = inches</p>

ShowerPoint Contents

Features & benefits21

ShowerPoint grate options.....22

Technical & planning considerations.....24

Drainage planning information25

Water activated LED lights25

Accessories26

Installation details27



Features & Benefits:



Grate unlocking



Place coin into slot and rotate clockwise



Once released spring will eject grate













Lift grate with the key

To lock: reverse process.

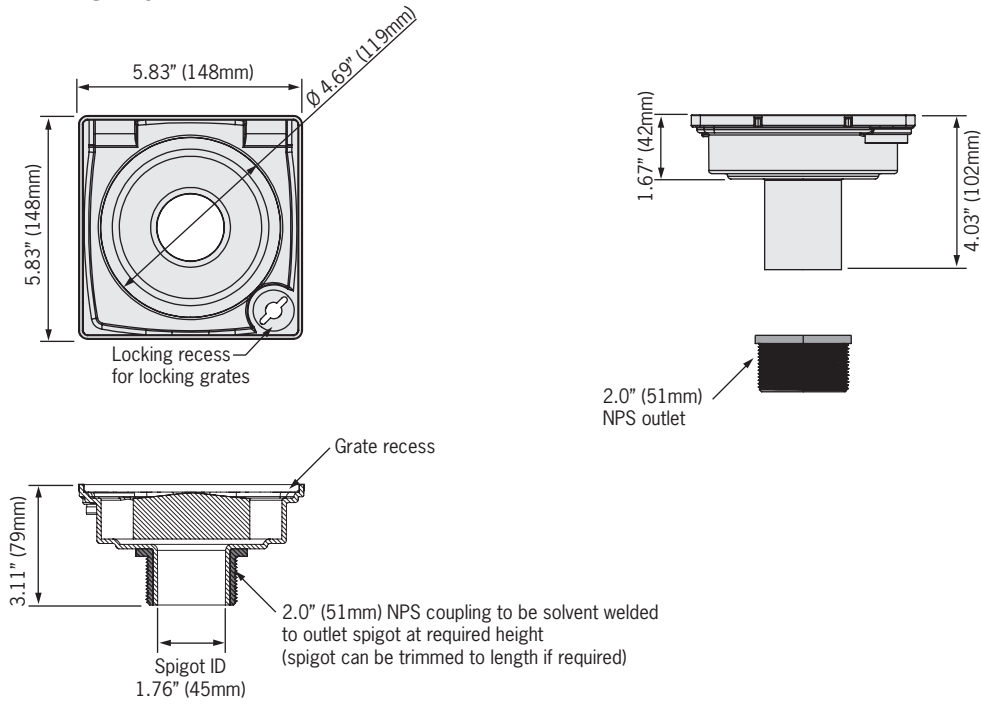
ShowerPoint grating designs

Product Table

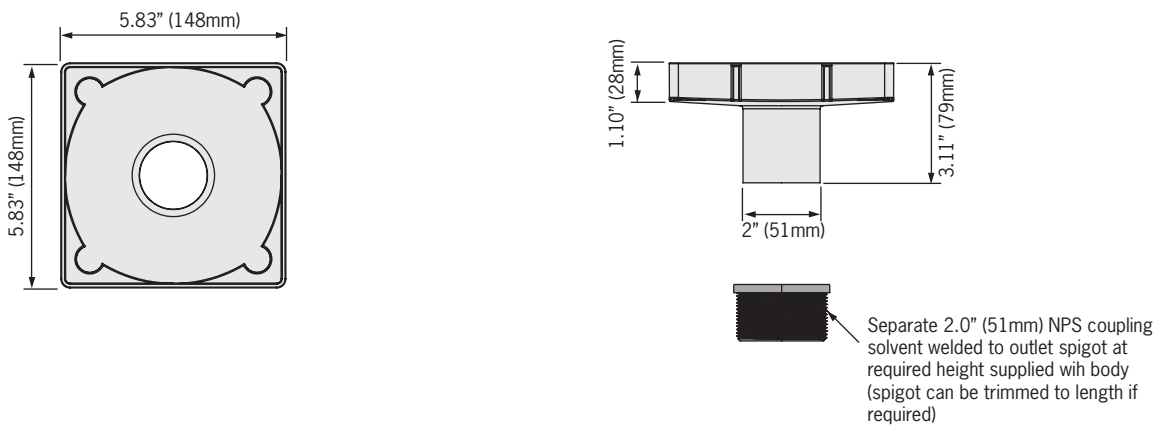
		Design	Weight lbs	Part no. Locking/Non	Intake sq. in.
Locking	Non-locking				
Premium		Wave	1.6	37234	9.3
				37221	
		Quadrato	1.9	37233	4.5
				37225	
		Hawaii	1.8	37230	6.2
	37223				
	Mix	1.8	37231	6.7	
			37222		
	Pixel	1.8	37232	5.8	
			37224		
Plus		Square	1.8	37078	4.5
		Wavy	1.5	37080	9.3
		Tile	0.5	37100	6.3
		Tile with stainless steel trim rings	0.6	37239	5.0

ShowerPoint dimensions

Premium



Plus



Technical & planning considerations

Accumulation and slopes

ASME A112.6.3-2001 requires a 2" outlet for shower applications. QuARTz by ACO ShowerPoint drains have this as standard. The flow value for a 2" outlet varies depending upon the head of water above the grating.

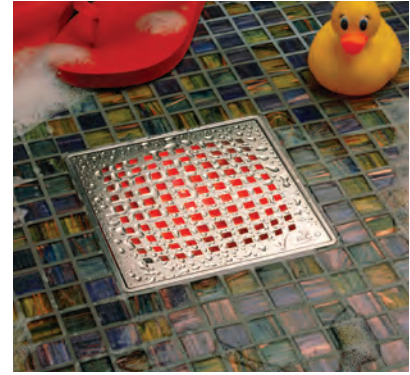
Flow values with no or minimal accumulation (head of water) should be used when shower drain is placed within the general bathroom floor area.

If the shower drain is installed within the shower stall, there will be a head of water due to 'basin' profile of floor grades; amount of accumulation (head of water) will vary depending on the layout of the shower area. The floor within the shower can be created with a higher gradient and/or the shower may have a lip which will increase accumulation (head of water).



Installation within the bathroom

Outlet flow rate up to 17.4 GPM based on minimal water accumulation (head of water).



Installation within the shower

Outlet flow rate up to 31.7 GPM based on floor grades such that 0.6" (15 mm) head of water possible.

ShowerPoint outlet flow rates (GPM)

Grate	Accumulation (head of water above grate)	
	0.2" (5 mm)	0.6" (15 mm)
Wave	17.4	31.7
Quadrato	9.5	17.4
Hawaii	14.3	23.8
Mix	12.7	22.2
Pixel	12.7	22.2

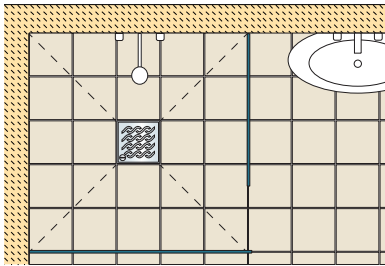
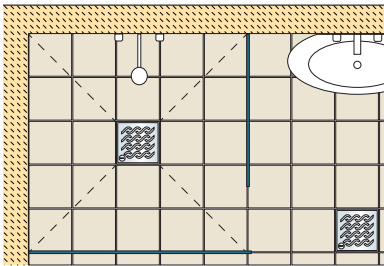
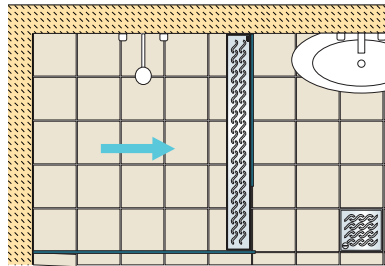
Outflow performance

The choice of shower drain generally depends on the flow values of the shower fitting. 70% of shower heads have a maximum capacity of less than 3 GPM.

The QuARTz by ACO ShowerPoint drains have an outflow of up to 31.7 GPM. This value assumes a 0.6" (15 mm) head of water above drain.

Based upon these flow rates, the QuARTz by ACO ShowerPoint drains can be used in conjunction with the majority of shower head fittings.

Drainage planning information

Point drainage options		
Use ShowerPoint within shower area	Use ShowerPoint within shower and bathroom areas	Use ShowerPoint within bathroom area and linear shower drain within shower area
		
Using a single ShowerPoint drain positioned within the shower area. Floors must be graded appropriately or other barriers must be used to prevent flow of water into bathroom area.	Using multiple ShowerPoint drains positioned within both the shower and bathroom areas. Level threshold floors can be utilized as bathroom ShowerPoint will drain any overflow from the shower. Bathroom area ShowerPoint will also drain any spills or leaks from cleaning or other bathroom fixtures.	Using a ShowerPoint drain positioned within bathroom area and linear shower drain within shower area. Level threshold floors can be utilized as bathroom ShowerPoint will drain any overflow from the shower. Bathroom area ShowerPoint will also drain any spills or leaks from cleaning or other bathroom fixtures.

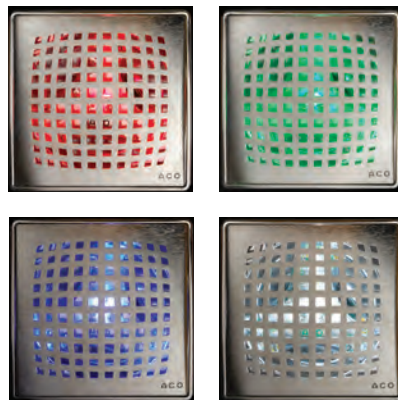
Accessories

Water activated LED lights



Water activated LED light unit sits below the grate and illuminates whenever the water is running. Available in red, green, blue or white. Light kit includes:

- 1 - rechargeable LED pack
- 1 - 110v UL rated low voltage charger



* Available for Premium line only.



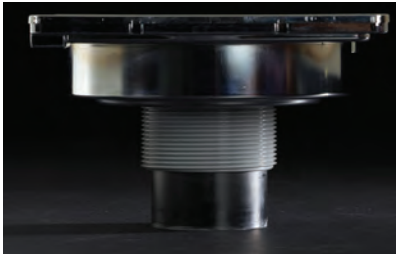
Product Table

Description	Part No.	Weight (lbs)
ShowPoint LED light - red	37254	0.5
ShowPoint LED light - green	37252	0.5
ShowPoint LED light - blue	37253	0.5
ShowPoint LED light - white	37251	0.5

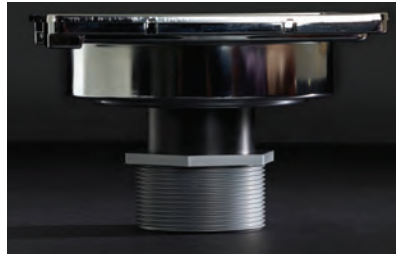
Accessories

Plumbing fittings

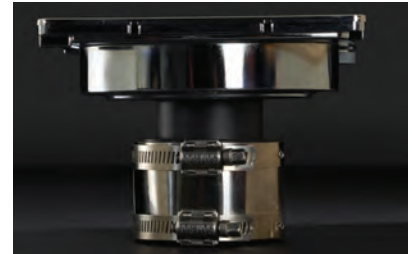
In order to connect the 2" plain end spigot to the plumbing system a connection fitting will be required.



Threaded coupling that can be solvent welded to the outlet pipe and is compatible with any standard 2" threaded drain flange. Once coupling is in place, remove remaining outlet tail to prevent damage to membrane.



Threaded coupling with hub that can be compatible with any standard 2" threaded drain flange - position at required height, apply solvent weld, drop shower drain in at desired orientation to fit tiling pattern. 2" NSP thread.



2" stainless steel clad flexible coupling - typically used where plastic fittings are considered a fire hazard.

Debris strainer



A stainless steel sieve/debris strainer that sits inside the 2" diameter outlet to collect hair and debris. Note that use of strainer will reduce the flow performance of the shower drain.

Product Table

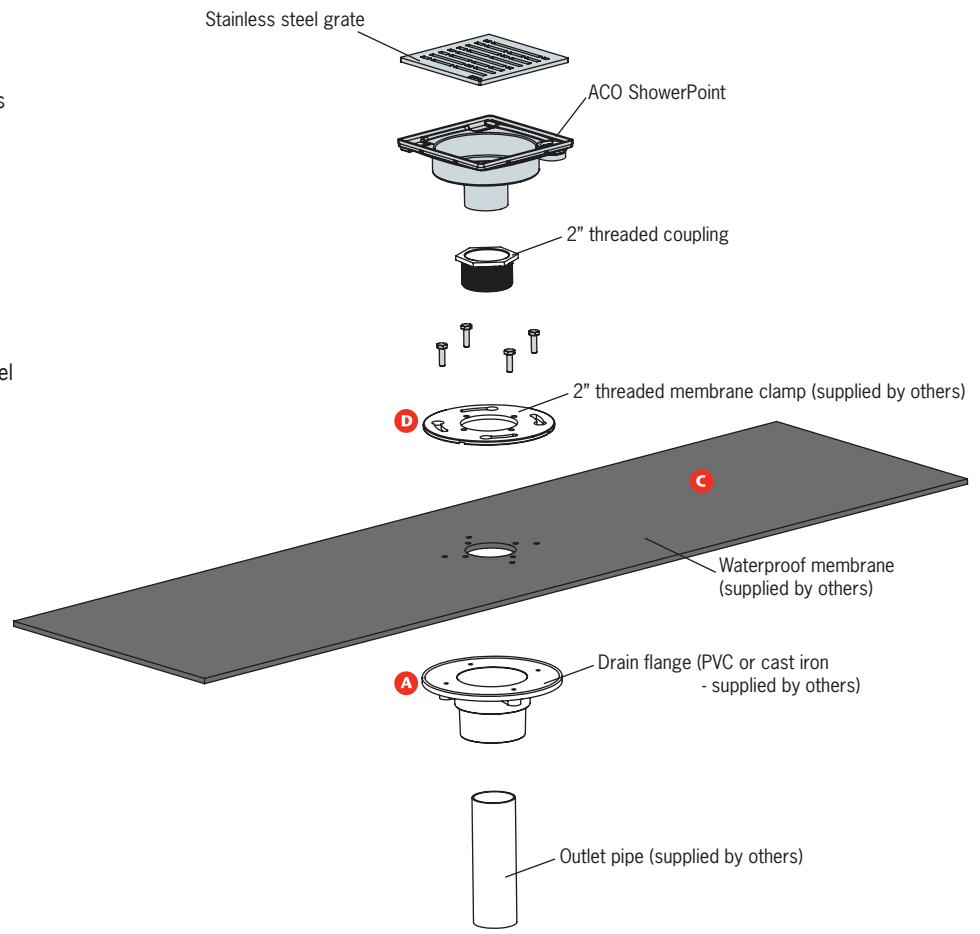
Description	Part No.	Weight (lbs)
Stainless steel clad coupling	93874	0.4
Debris strainer	37381	0.1

Installation overview

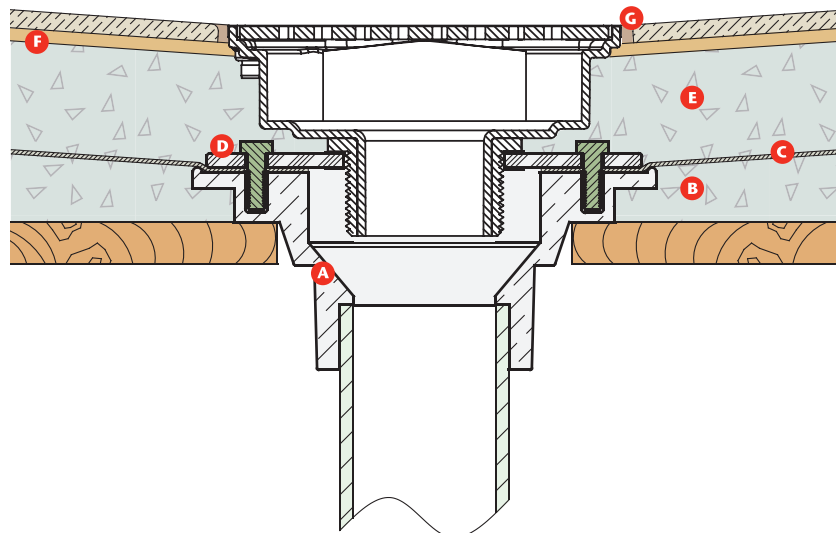
Tiled showers rely on a waterproofing membrane beneath the tiles and grout. QuARTz by ACO offers a number of options to ensure compatibility with different floor structures.

The installation details shown set out to provide the designer with integrated solutions to wet room floor drainage identifying preparation, installation and construction processes required to install waterproof channels and floor drains in level threshold wet room environments.

Although these details do not cover every possible situation, they do provide a practical reference to most design applications.



1. Where alterations to floor joists are necessary, consult Structural Engineer for advice and reinforce floor joists as advised.
2. Frame out shower surround as required.
3. Connect base of drain flange **A** to pipe work, leaving drain bolts in place. Block drain opening with rag to prevent floor mortar from blocking pipe work.
4. Trowel mortar onto sub-floor **B**.
5. Install CPE membrane **C**, reinforce around outlet and cut carefully to reveal heads of drain bolts and outlet.
6. Install top section of drain flange **D**.
7. Test membrane for leaks.
8. Screw fit ShowerPoint drain to correct position and height.
9. Trowel mortar to required height **E**, allowing for thickness of tile and thin set mortar and grade to create 2% slope towards the drain.
10. After floor mortar has cured, apply thin set **F** and install tile and grout **G**.
11. Install grate into ShowerPoint drain.





Other ACO product lines

- **ACO DRAIN**
ACO Drain is the world's leading modular trench drain system for commercial, industrial and landscape applications.
- **ACO SPORT**
Surface drainage and building accessories for track & fields, used at Olympic sites since 1972.
- **AQUADUCT**
Custom designs and manufactured fiberglass trench drain systems to meet individual project requirements.
- **ACO INFRASTRUCTURE**
Surface drainage products engineered for the unique design and performance demands of highways, urban roads and bridges.
- **ACO STORMBRIXX**
A unique and patented plastic geocellular storm water management system.
- **ACO ENVIRONMENT**
Oil water separator and spill containment systems.
- **ACO WILDLIFE**
Tunnel and fence system designed to guide amphibians and other small creatures safely across roads.
- **ACO SELF**
Simple plastic and polymer concrete trench units for use around the home, garden and office.

QuARTz by ACO is a division of ACO Polymer Products, Inc.

ACO Polymer Products, Inc.

West Sales Office

825 W. Beechcraft St.
Casa Grande, AZ 85122
Tel: (520) 421-9988
Toll Free: (866) 809-4506
Fax: (520) 421-9899

North East Sales Office

9470 Pinecone Drive
Mentor, OH 44060
Tel: (440) 639-7230
Toll free: (866) 809-4506
Fax: (440) 639-7235

South East Sales Office

4211 Pleasant Road
Fort Mill, SC 29708
Toll free: (800) 543-4764
Fax: (704) 568-4387

Electronic Contact:

info@QuARTzbyACO.com
www.QuARTzbyACO.com

Follow us on

