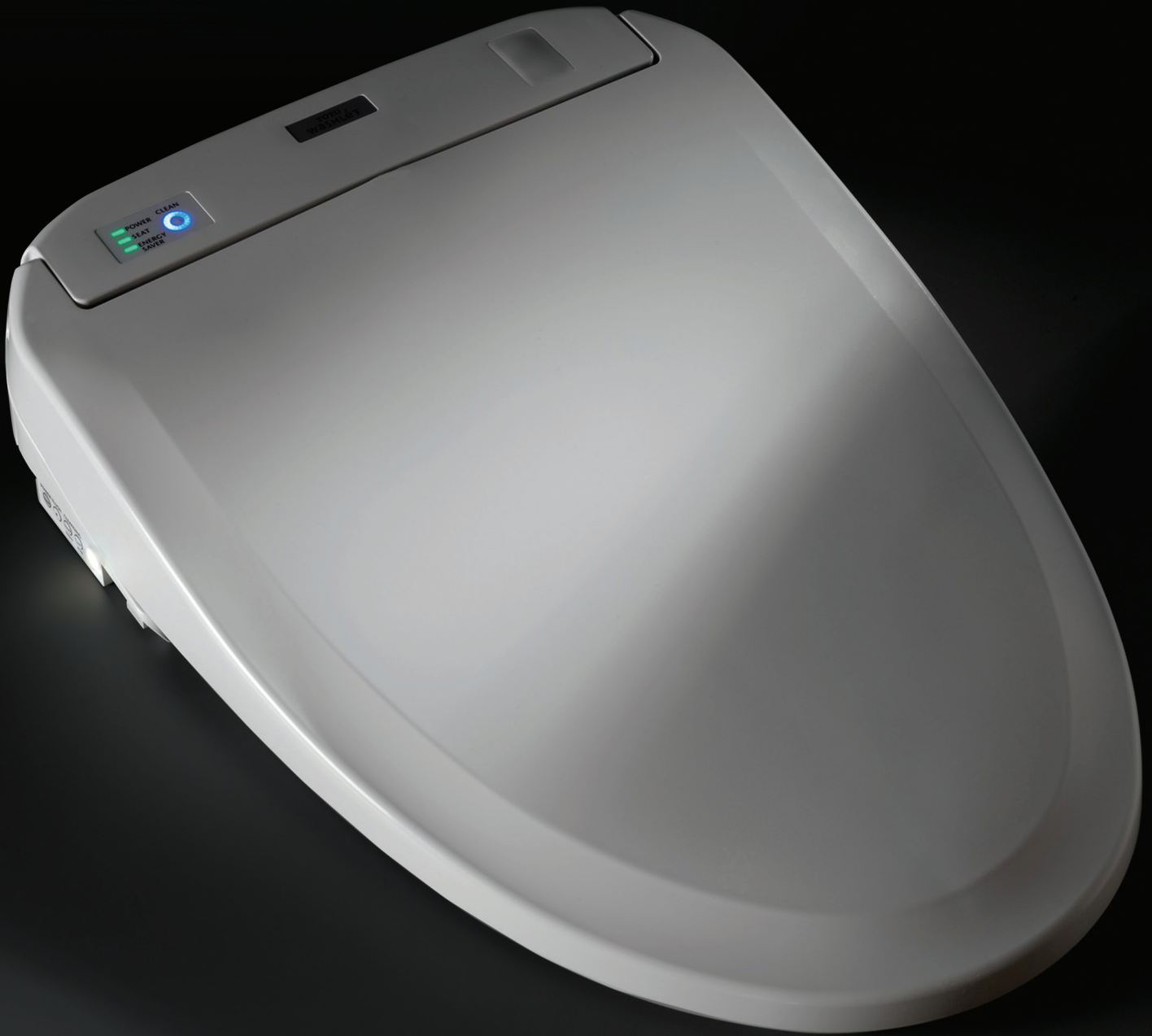


TOTO :  
WASHLET®



FIT CHART |  
BROCHURE



STOP

REAR  
SOFT ON/OFF

PULSATING

OSCILLATING

FRONT  
WIDE ON/OFF

PRESSURE

POSITION

DRYER

USER



TOTO  
WASHLET

# INSTALLING A WASHLET®

IS MUCH LIKE CHANGING A TOILET SEAT,  
BUT THE FEATURES AND BENEFITS

**FAR EXCEED**

ANY TOILET YOU EVER OWNED.



# WASHLET® COMPARISON CHART

		S350e	S300e	C200	C100	A200	A100
		SW583 (round) SW584 (elongated)	SW573 (round) SW574 (elongated)	SW2043 (round) SW2044 (elongated)	SW2033 (round) SW2034 (elongated)	SW2024 (elongated)	SW2014 (elongated)
MSRP	COTTON (#01)	\$1,560	\$1404	\$699	\$599	\$599	\$499
	SEDONA BEIGE (#12)	\$1,794	\$1,616	\$804	\$689		
CLEANSE	REAR CLEANSE	•	•	•	•	•	•
	SOFT REAR CLEANSE	•	•	•	•	•	•
	FRONT CLEANSE	•	•	•	•	•	•
	WIDE FRONT CLEANSE	•	•				
	OSCILLATING CLEANSE	•	•	•	•	•	•
	PULSATING CLEANSE	•	•	•		•	
	INSTANTANEOUS WATER HEATING	•	•				
	WATER PRESSURE CONTROL	5 SETTINGS	5 SETTINGS	5 SETTINGS	5 SETTINGS	5 SETTINGS	5 SETTINGS
	WATER TEMPERATURE CONTROL	5 SETTINGS	5 SETTINGS	5 SETTINGS	3 SETTINGS	3 SETTINGS	3 SETTINGS
	WAND POSITION ADJUSTMENT	•	•	•	•	•	•
AIR	AIR PURIFIER (DEODORIZER)	•	•	•	•		
	AIR DRYER	•	•	•	•		
	AIR TEMPERATURE CONTROL	5 SETTINGS	5 SETTINGS	5 SETTINGS	3 SETTINGS		
SEAT	HEATED SEAT	•	•	•	•	•	•
	HEATED SEAT TEMPERATURE CONTROL	5 SETTINGS	5 SETTINGS	5 SETTINGS	3 SETTINGS	5 SETTINGS	3 SETTINGS
	SoftClose SEAT AND LID	•	•	•	•	•	•
SENSOR	SEAT SENSOR	•	•	•	•	•	•
	AUTOMATIC OPEN AND CLOSE LID	•					
	AUTOMATIC FLUSH						
	NIGHT LIGHT	•					
REMOTE CONTROL	REMOTE CONTROL	•	•	•	SIDE PANEL	•	SIDE PANEL
	REMOTE CONTROLLED SEAT	•					
	REMOTE CONTROLLED FLUSH						
HYGIENE	REMOVABLE LID	•	•	•	•	•	•
	PREMIST™	•	•	•	•		
	EWATER+	•	•				
	WAND CLEANING MODE	•	•	•	•	•	•
	SELF-CLEANING WAND	•	•	•	•	•	•
ENERGY SAVING	ENERGY-SAVER TIMER	3, 6, 9 HOURS	3, 6, 9 HOURS				
	AUTO ENERGY SAVER	•	•	•	•	•	•

RATED POWER USAGE		835W	835W	406W	313W	406W	406W
LENGTH OF POWER CORD		Maximum length 4 ft.	Maximum length 4 ft.	Maximum length 4 ft.	Maximum length 4 ft.	Maximum length 4 ft.	Maximum length 4 ft.
WASHLET NOZZLE FLOW RATE		9.1 - 14.5 oz. / min.	9.1 - 14.5 oz. / min.	9.8 - 20.3 oz. / min.	9.8 - 20.3 oz. / min.	9.1 - 14.5 oz. / min.	9.1 - 14.5 oz. / min.
	REAR						
	SOFT	10.8 - 14.5 oz. / min.	10.8 - 14.5 oz. / min.	9.8 - 18.6 oz. / min.	9.8 - 18.6 oz. / min.	9.1 - 14.5 oz. / min.	9.1 - 14.5 oz. / min.
	FRONT	9.8 - 14.5 oz. / min.	9.8 - 14.5 oz. / min.	9.1 - 20.3 oz. / min.	9.1 - 18.6 oz. / min.	9.8 - 14.5 oz. / min.	9.8 - 14.5 oz. / min.
	WATER TEMPERATURE	86°F - 104°F	86°F - 104°F	86°F - 104°F	95°F - 104°F	95°F - 104°F	95°F - 104°F
DRYER	AIR TEMPERATURE	95°F - 140°F	95°F - 140°F	104°F - 140°F	-	-	-
	AIR VOLUME	10.24 ft3 / min.	10.24 ft3 / min.	9.54 ft3 / min.	-	-	-
HEATED SEAT	SURFACE TEMPERATURE	82° F - 97° F	82° F - 97° F	82° F - 97° F	82° F - 95° F	82° F - 97° F	82° F - 97° F
WATER SUPPLY PRESSURE		7 psi - 109 psi	7 psi - 109 psi	7 psi - 109 psi	7 psi - 109 psi	7 psi - 109 psi	7 psi - 109 psi
WATER SUPPLY TEMPERATURE		33°F to 95°F	33°F to 95°F	33°F to 95°F	33°F to 95°F	33°F to 95°F	33°F to 95°F
AMBIENT TEMPERATURE		33°F to 104°F	33°F to 104°F	33°F to 104°F	33°F to 104°F	33°F to 104°F	33°F to 104°F
SIZE	ROUND	15-5/16"W x 18-7/8"D x 3-15/16"H	15-5/16"W x 18-7/8"D x 3-15/16"H	-	-	15-3/8"W x 18-7/8"D x 7-3/8"H	18-7/8"W x 18-7/8"D x 7-3/8"H
	ELONGATED	15-5/16"W x 20-3/4"D x 3-15/16"H	15-5/16"W x 20-3/4"D x 3-15/16"H	15-5/16"W x 20.5"D x 6-3/4"H	18-7/8"W x 20.5"D x 6-3/4"H	15-3/8"W x 20-7/8"D x 7-3/8"H	18-7/8"W x 20-7/8"D x 7-3/8"H

# WASHLET® COMPATIBILITY CHART

	SIZE	NAME	S300e/ S350	C100/C200	A100/A200		
ONE-PIECE TOILETS	ELONGATED	AIMES®					
		AQUIA®					
		CAROLINA® II					
		CARLYLE® II / II 1G®					
		GUINEVERE®					
		LEGATO®					
		LLOYD®	●	●	●		
		PROMENADE® II / II 1G					
		SOIREE®					
		SUPREME®					
		SUPREME II					
		ULTIMATE®					
		ULTRAMAX®					
		ULTRAMAX® II / II 1G					
		ONE-PIECE TOILETS	ROUND	SUPREME			
ULTIMATE	★			★			
ULTRAMAX							
TWO-PIECE TOILETS	ELONGATED	AQUIA I / II*					
		CONNELLY®					
		CLAYTON®					
		DARTMOUTH®					
		DRAKE II / II 1G					
		DRAKE®					
		MARIS® *	●	●	●		
		NEXUS®					
		PROMENADE I / II					
		PROMENADE					
		ROWAN®					
		VESPIN® II / II 1G					
		WHITNEY®					
		TWO-PIECE TOILETS	ROUND	DRAKE			
				PROMENADE	★	★	
ROWAN							
WALL-HUNG TOILETS		AQUIA	●	●	●		
		MARIS					

\* Extension kit THU9090R required

● SW554/SW574/SW584 elongated  
★ SW553/SW573/SW583 round

● SW2034/SW2044 elongated  
★ SW2033/SW2043 round

● SW2014/SW2024 elongated

# WASHLET S350e/s300e

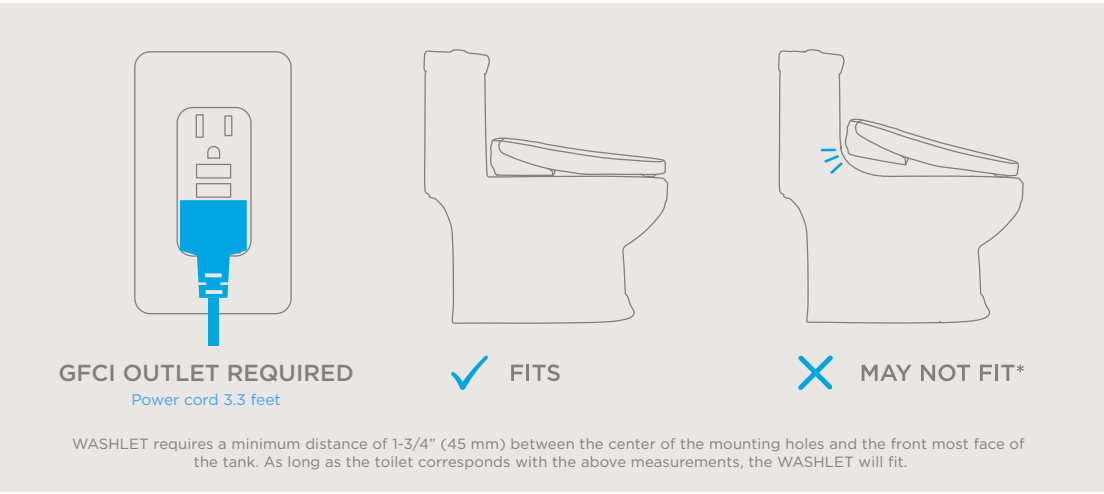
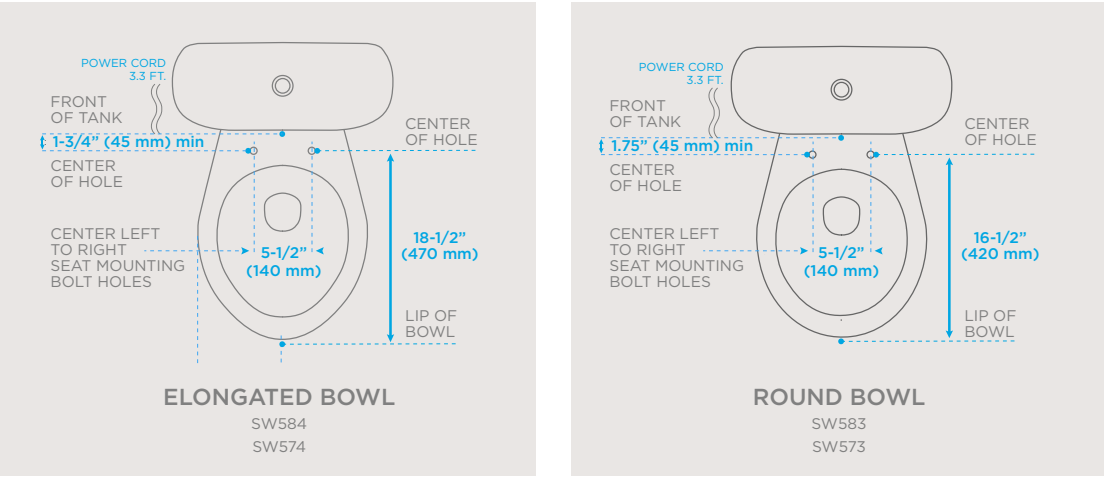
## FIT CHART



WASHLET S350e;  
PROMENADE® II 1G® ONE-PIECE TOILET

# WHAT IF MY TOILET ISN'T A TOTO TOILET? WILL THE WASHLET STILL FIT?

On a standard Toilet with no curves between the seat and tank, all you need is 1-3/4 inches of room past the mounting bolts.



**NOTE:** Some styles of toilets may not allow the Washlet S300e/S350e to be installed due to certain contours near the tank and bowl area (see figures below). In the figure on the left side below, dimension D does not allow enough open space to accommodate the minimum width of 9 inches.

DIMENSIONS	DIMENSION REQUIREMENTS
A	Elongated - Approximately 18-1/2 inches (470 mm) from seat mounting holes to front of bowl Round - Approximately 16-1/2 inches (420 mm) from seat mounting holes to front of bowl
B	Minimum of 1-3/4 inches (45 mm) from front most face of tank to the center of mounting bolt holes
C	Approximately 5-1/2 inches (140 mm) from center left to right seat mounting holes
D	Minimum 8 inches (203 mm) of open space from center of Washlet S300e/S350e (or toilet to edge of Washlet S300e/S350e and flat bowl surface)

# WASHLET C200/A200 FIT CHART

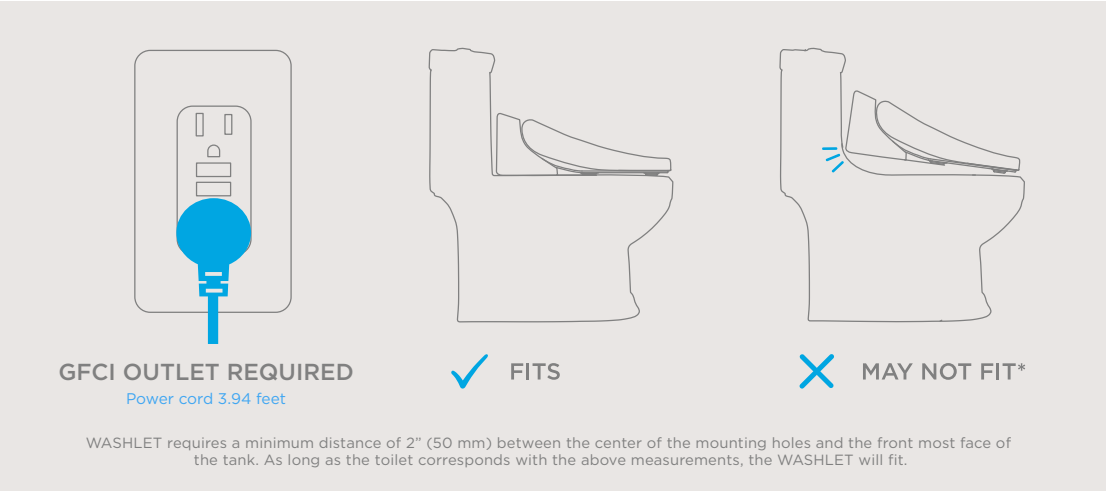
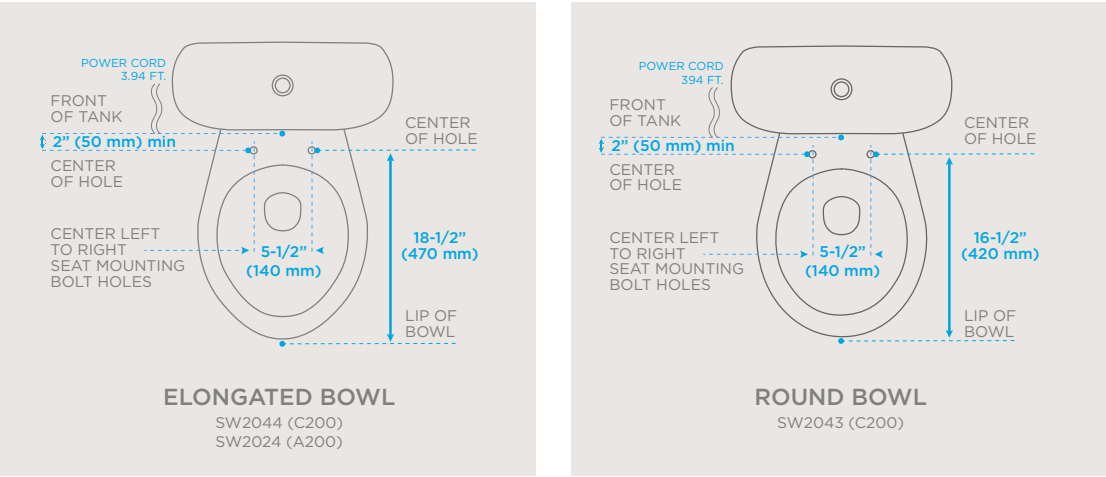


WASHLET C200;  
ULTRAMAX® II 1G® ONE-PIECE TOILET



# WHAT IF MY TOILET ISN'T A TOTO TOILET? WILL THE WASHLET STILL FIT?

On a standard Toilet with no curves between the seat and tank, all you need is 2 inches of room past the mounting bolts.



**NOTE:** Some styles of toilets may not allow the Washlet C200/A200 to be installed due to certain contours near the tank and bowl area (see figures below). In the figure on the left side below, dimension D does not allow enough open space to accommodate the minimum width of 9 inches.

DIMENSIONS	DIMENSION REQUIREMENTS
A	Elongated - Approximately 18-1/2 inches (470 mm) from seat mounting holes to front of bowl Round - Approximately 16-1/2 inches (420 mm) from seat mounting holes to front of bowl
B	Minimum of 2 inches (50 mm) from front most face of tank to the center of mounting bolt holes
C	Approximately 5-1/2 inches (140 mm) from center left to right seat mounting holes
D	Minimum 9 inches (210 mm) of open space from center of Washlet C200 (or toilet to edge of Washlet C200/A200 and flat bowl surface.

# WASHLET C100/A100

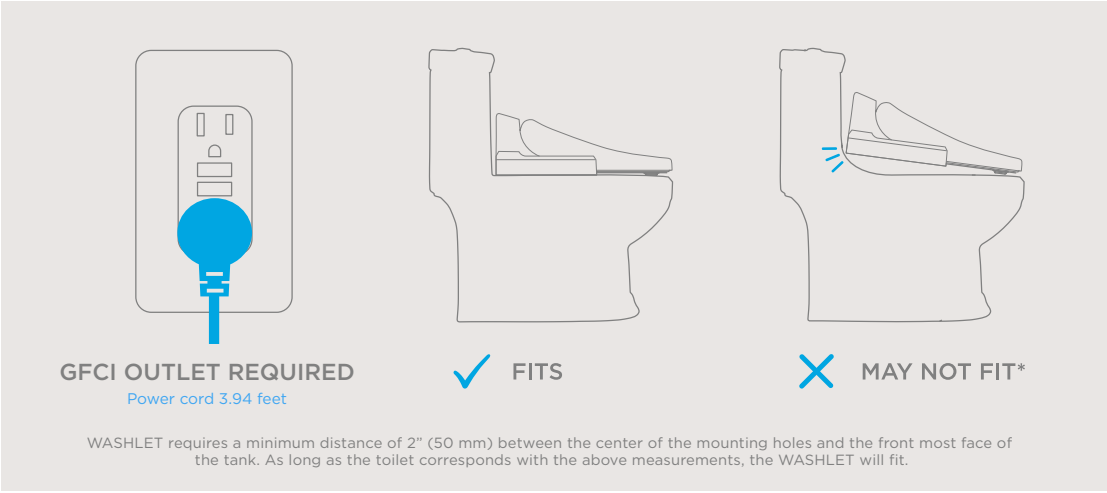
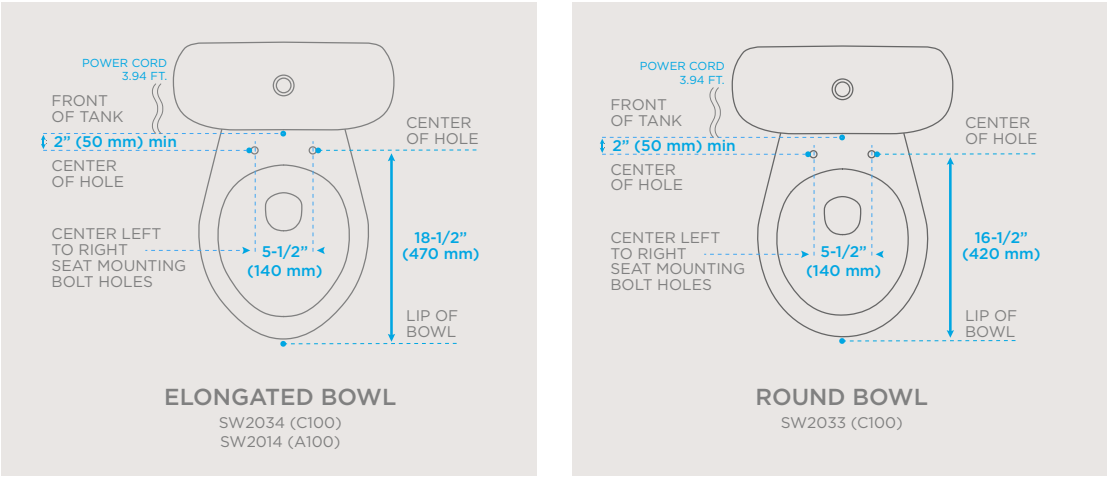
## FIT CHART



WASHLET C100;  
DRAKE® II 1G® ONE-PIECE TOILET

# WHAT IF MY TOILET ISN'T A TOTO TOILET? WILL THE WASHLET STILL FIT?

On a standard Toilet with no curves between the seat and tank, all you need is 2 inches of room past the mounting bolts.



**NOTE:** Some styles of toilets may not allow the Washlet C100/A100 to be installed due to certain contours near the tank and bowl area (see figures below). In the figure on the left side below, dimension D does not allow enough open space to accommodate the minimum width of 11 inches.

DIMENSIONS	DIMENSION REQUIREMENTS
A	Elongated - Approximately 18-1/2 inches (470 mm) from seat mounting holes to front of bowl Round - Approximately 16-1/2 inches (420 mm) from seat mounting holes to front of bowl
B	Minimum of 2 inches (50 mm) from front most face of tank to the center of mounting bolt holes
C	Approximately 5-1/2 inches (140 mm) from center left to right seat mounting holes
D	Minimum 11 inches (277 mm) of open space from center of Washlet C100/A100 to left side
E	Maximum 8-3/8 inches (213 mm) from center to edge of bowl surface

**TOTO USA, INC.**  
1155 SOUTHERN ROAD  
MORROW, GA 30260  
800-350-8686

**[www.totousa.com](http://www.totousa.com)**  
**[www.washlet.com](http://www.washlet.com)**

#KO-032017-WFB